

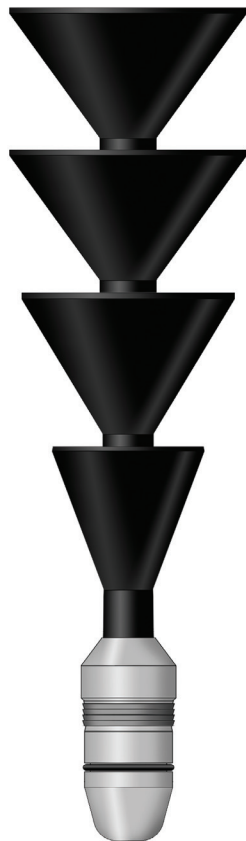
# CEMENTED LINER ASSEMBLIES

## DRILL PIPE DART AND LINER WIPER PLUG

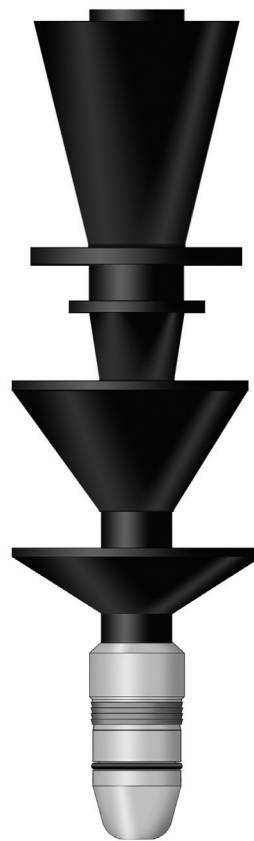
The Chancellor Model JM Liner Wiper Plug is used to effectively displace cement within the liner. After a volume of cement has been pumped, the drill pipe dart is released from the cementing head followed by displacement fluid. The drill pipe dart will latch and seal into the liner wiper plug.

The tandem unit is then shear released from the setting tool to further displace the liner to latch and seal into the landing collar. The latch and seal system will provide additional back pressure safety to the float equipment to ensure that cement remains in place after displacement. All materials are easily drilled out after cementing.

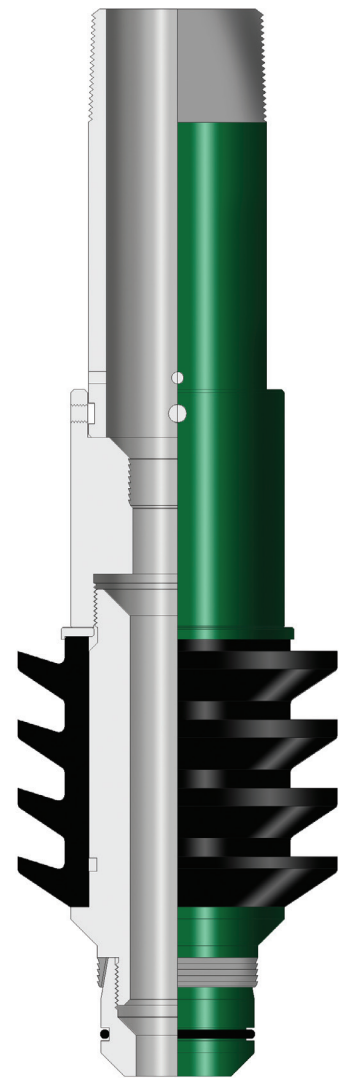
The Chancellor Model TS4 Drill Pipe Dart is used to effectively displace cement within the drill pipe. The TS4 was specifically designed to displace a combination drill string from 2-7/8" through 5-1/2" Drill Pipe. The Model C5 Drill Pipe Dart is the standard for heavy duty cement displacement. After a volume of cement has been pumped, the drill pipe dart is released from the cementing head followed by displacement fluid. The drill pipe dart will latch and seal into the liner wiper plug. This tandem unit is then shear released from the setting tool to further displace the liner to latch and seal into the landing collar. The latch and seal system will provide additional back pressure safety to the float equipment to ensure that cement remains in place after displacement. All materials are easily drilled out after cementing.



TS4 DRILL PIPE DART



C5 DRILL PIPE DART



MODEL JM  
LINER WIPER PLUG